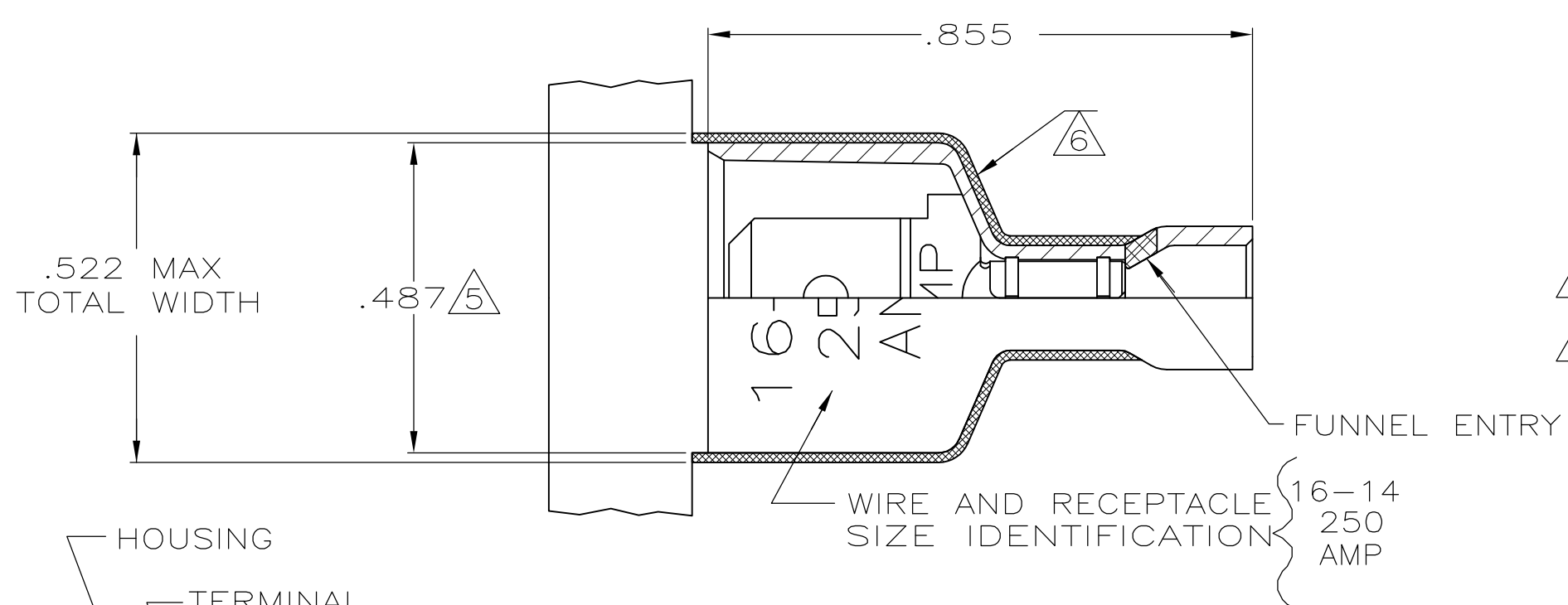
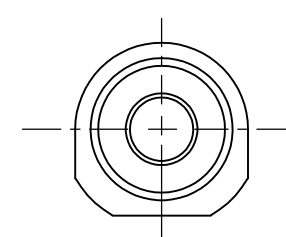
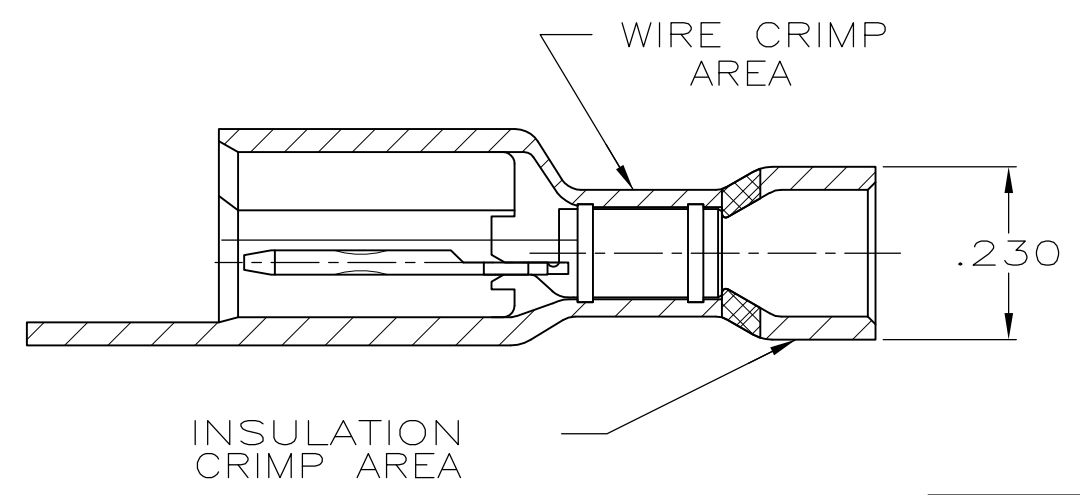
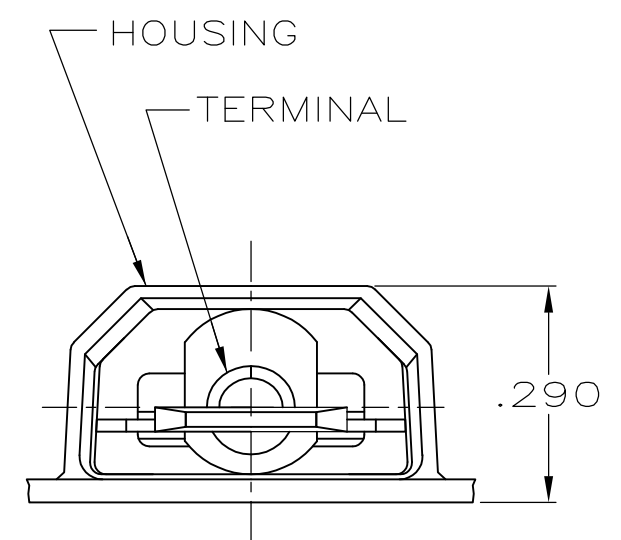


THIS DRAWING IS UNPUBLISHED. RELEASED FOR PUBLICATION
 © COPYRIGHT - By - ALL RIGHTS RESERVED.

LOC	DIST	REVISIONS					
AF	50	P	LTR	DESCRIPTION	DATE	DWN	APVD
		E		REVISED PER ECR-13-004343	30JUL13	KH	KR



- 1 TAB DIMENSIONS .032±.001x.250
- 2 WIRE STRIP LENGTH .281
- 3 INSULATION SIZE .090-.160 DIA
- 4 CONTINUOUS STRIP ON REELS
- △5 DIMENSION DOES NOT INCLUDE TRIM BURR
- △6 .015 MAX CARRIER TRIM BURR PER SIDE IS ALLOWABLE IN THE SHADED AREA



HOUSING: NYLON, COLOR-BLUE TRANSLUCENT TAB: BRASS, TIN	3-521057-2
MATERIAL & FINISH	PART NO

THIS DRAWING IS A CONTROLLED DOCUMENT.		DWN JR RUTH 3/14/94	TE Connectivity NAME TAB ASSEMBLY, ULTRA-FAST, PLUS, .250 SERIES, 16-14 AWG			
DIMENSIONS: INCHES		CHK MS FEHER 3/14/94				
TOLERANCES UNLESS OTHERWISE SPECIFIED:		APVD D BRATINA 3/14/94				
0 PLC ± - 1 PLC ± - 2 PLC ± - 3 PLC ± .015 4 PLC ± - ANGLES ± -		PRODUCT SPEC 108-2017				
MATERIAL SEE TABLE	FINISH SEE TABLE	APPLICATION SPEC 114-2123	SIZE A3	CAGE CODE 00779	DRAWING NO C-521057	RESTRICTED TO -
CUSTOMER DRAWING			SCALE 4:1	SHEET 1 OF 1	REV E	